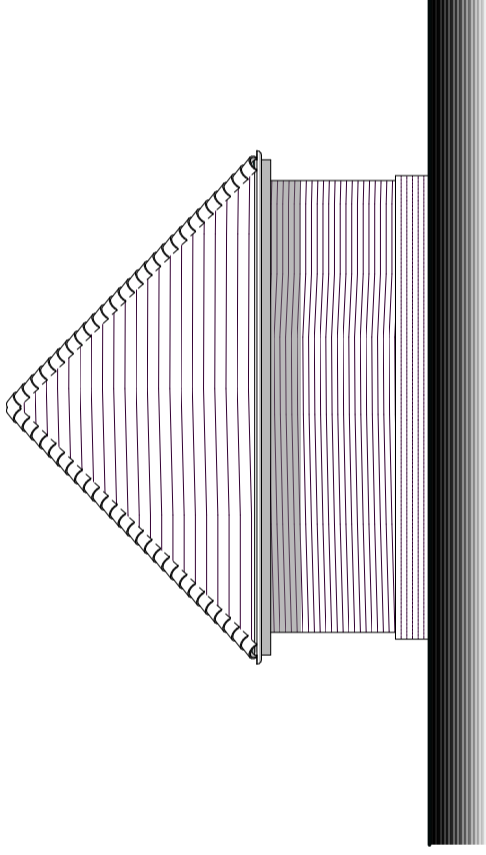
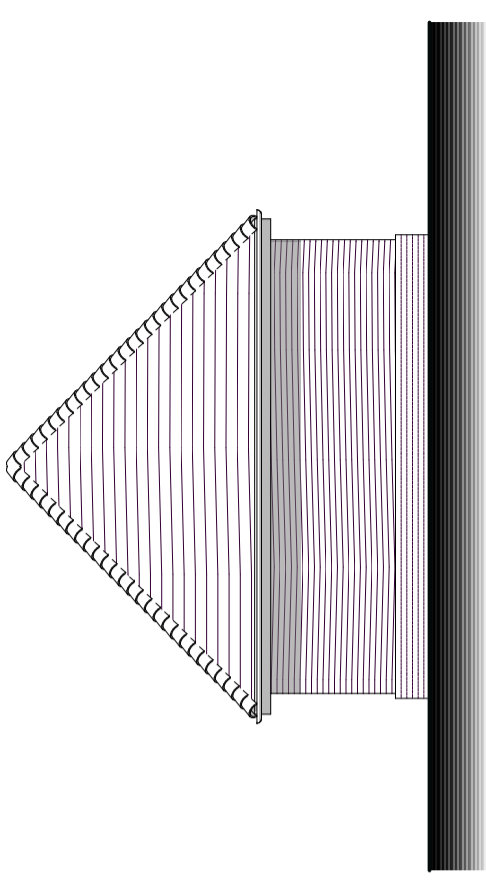


FRONT ELEVATION

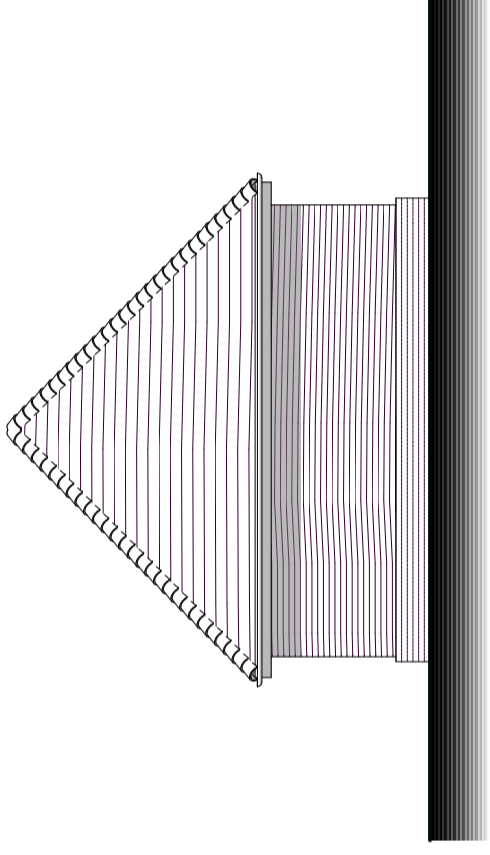


SIDE ELEVATION

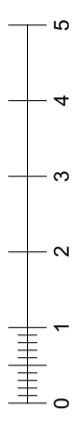


REAR ELEVATION

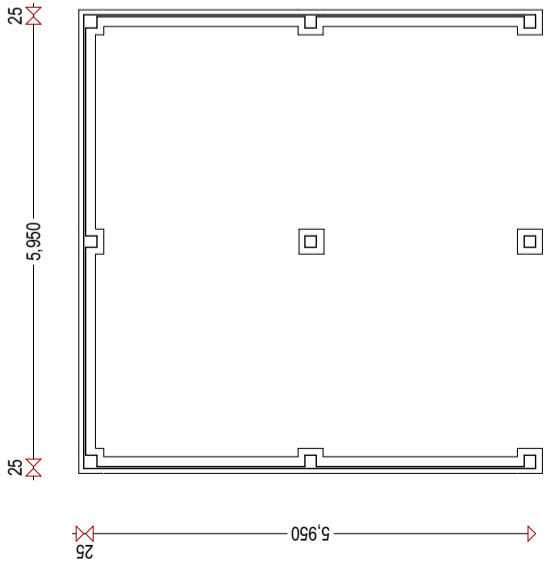
FINISHES	
ROOFS	Terracotta plain tiles with matching bonnet hip tiles and half round ridges
WALLS	Multi red stock facing bricks with plain red features and larch timber boarding
GUTTERS	Black upvc



SIDE ELEVATION



scale bar 1 : 100 at A3



IAN WOOD DESIGN CONSULTANT

14 Garfield Road ♦ Bitterne ♦ Southampton SO19 4BZ ♦ Hampshire
Phone 023 8033 3810 or 01489 773569

Client A C ENGLISH
 DEVELOPMENTS LTD
Project "CROFTON"
 LOCKERLEY ROAD
 AWBRIDGE HAMPSHIRE

Drawing Title PLOT 1 CAR BARN DETAIL